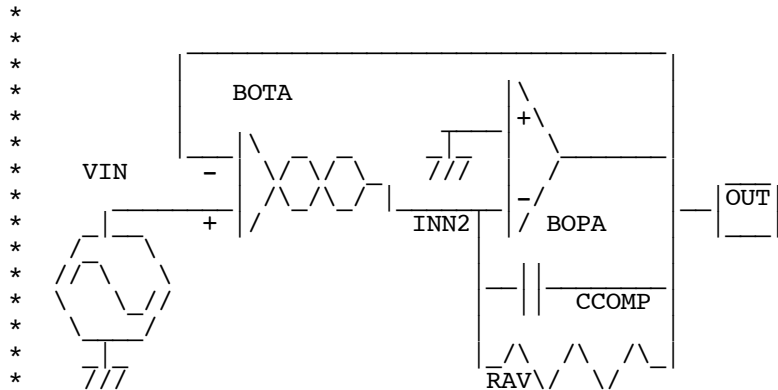


**This Op Amp needs to have its gain limited below 1kHz. This is often done without trying.**



**Usually an OP Amp is a gm stage fed into an integrator. Often things like early voltage can lower impedances at critical nodes.**